

**Ritter Contact Lite Comfort.**  
Take a seat and relax.



## Ritter Contact Lite Comfort. A true classic in design and functionality.

Patient comfort for a smooth treatment at any time. The patient chair of the Contact Lite Comfort provides excellent ergonomic and anatomical aspects for an optimal patient comfort and thus for a comfortable working situation.

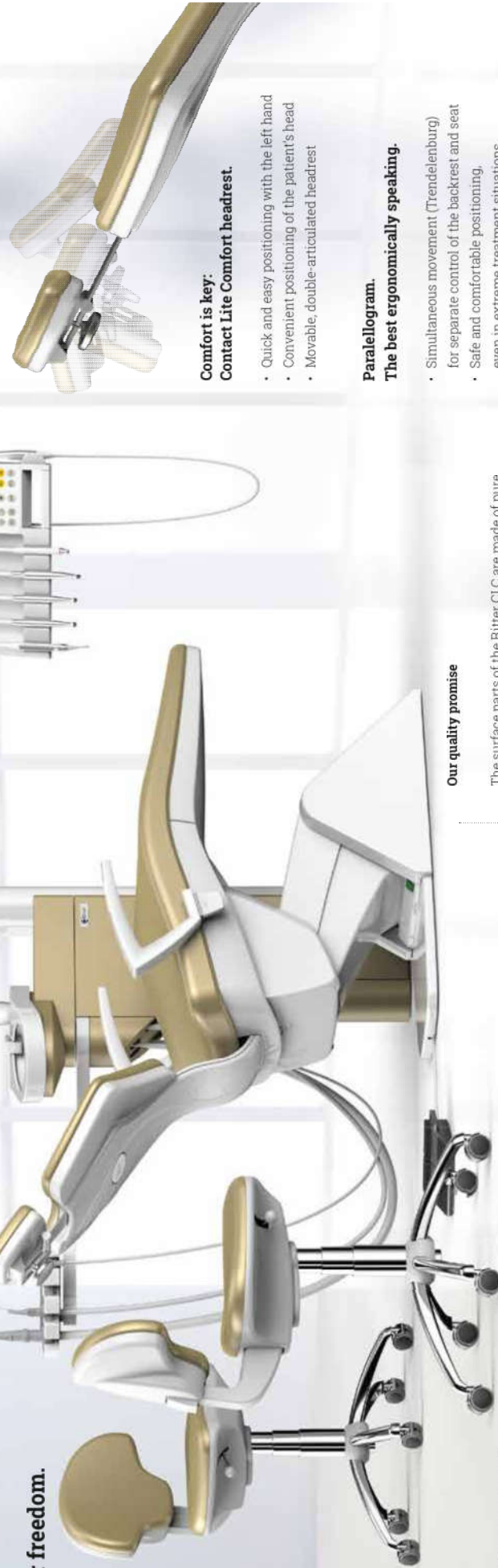
### Greater freedom.

A treatment unit that offers you complete flexibility in the execution of demanding dental treatments.

A dental unit that has been carefully designed down to the last detail and that has what it takes to become a design classic object.

### Our quality promise

The surface parts of the Ritter CLC are made of pure metal and polyester with a high quality gelcoat coating. The use of normal plastic parts has been completely eliminated. Clear advantages lie in the extraordinary stability and the long-term constant appearance, free of any yellowing. The parts are handmade for the highest quality.



### Comfort is key: Contact Lite Comfort headrest.

- Quick and easy positioning with the left hand
- Convenient positioning of the patient's head
- Movable, double-articulated headrest

### Parallelogram. The best ergonomically speaking.

- Simultaneous movement (Trendelenburg) for separate control of the backrest and seat
- Safe and comfortable positioning, even in extreme treatment situations
- Seamless surfaces and upholstery for easy disinfection
- Flexible control via foot pedal and function displays
- Chair height 46-82 cm
- Optional: Right armrest movable

## Ritter Contact Lite Comfort. Radius of action.

Contact Lite Comfort has optimal dimensions in all versions, whether as HC, H, S or Cart - even for small practice rooms. With its small radius of action, the slim dental unit adapts to any room situation. The working area luminaires are available as ceiling or unit models.

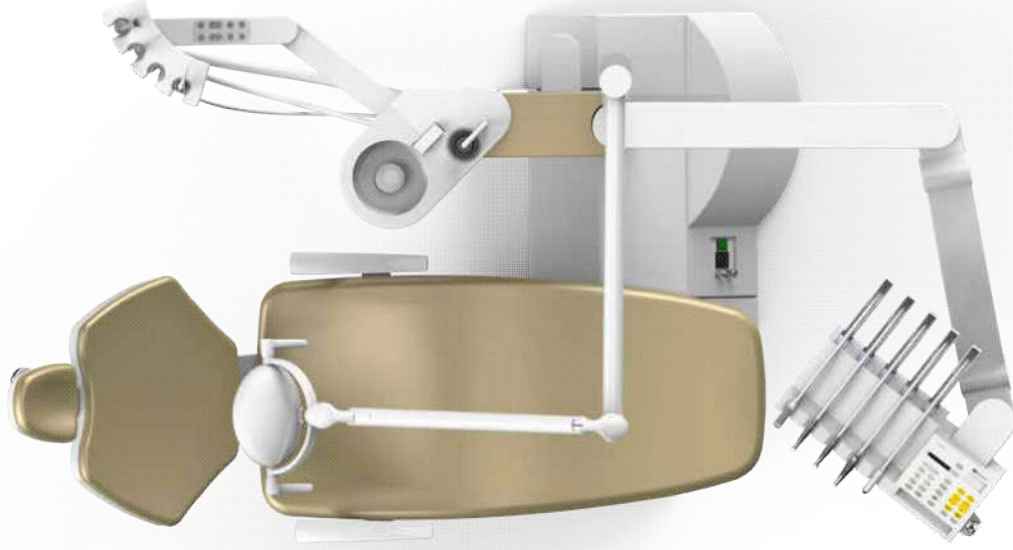


### Pole Position.

#### Set accents. Offer comfort.

- Vegan upholstery cover
- Breathable comfort upholstery
- Silk matt, seamless surfaces
- Practical easy to clean and maintain
- Warm feel and velvety look convey cleanliness and freshness - without the feeling of „sticking“.

Note: A total of 3 connection points (standard / alternative / chair ) offer additional flexibility so that the unit can fit in any treatment room!  
Approximately operating range: 2m x 3m.



#### Intuitive and user friendly control display. Control of chair and instruments.

- valid for all display: S / H / HC / C
- Graphical display shows the instrument status
- All parameters are freely programmable
- Chair positions programmable
- Advance settings for up to 4 different users
- Prophylaxis function
- Timer
- Memory function

#### Easy and comfortable operation. Good standing foot pedal control.

- Backrest movement up/down. Instrument chip blower.
- Rinsing position
- Patient chair up and down / exit position
- Adjustment with water and spray
- Speed mode / adjustment
- Endo Mode for scaler
- Perfect weight balance when moving with the toes
- Material: Metal with plastic grip



**Ritter Contact Lite Comfort.**  
To each his own.  
The four doctor elements.

All surfaces of the arm system are flat and very easy for disinfection and cleaning.

All Ritter treatment units of the Contact series are available in the different versions S, H, C, HC in order to optimally support each user in his working method.

**Excellent handling.**



**Supported arm system.  
A functional detail.**

The mobility of the smooth-running and gas pressure spring supported floating arm and dentist element are activated with the help of a sensor. As soon as the handle is released, the brake is automatically activated and prevents unintentional movement of the dentist element.

**HC Version.  
Hanging hoses with Cart head.**

The tray of this HC version with hanging tubes has a more conventional design than that of the H version, with the tray located directly above the instruments.  
The cart head can accommodate up to 6 instruments in any order, controlled by the foot pedal when in use. Completely and easily removable top plate. Easy to disinfect

**H Version.  
Hanging hoses.**

In the H version, the dentist element on the floating arm is equipped with hanging hoses and a large tray table. The element can be moved very close to the patient and guarantees optimum handling of the max. 5 instruments with the smallest working circle.

**S Version.  
Swinging hoses system.**

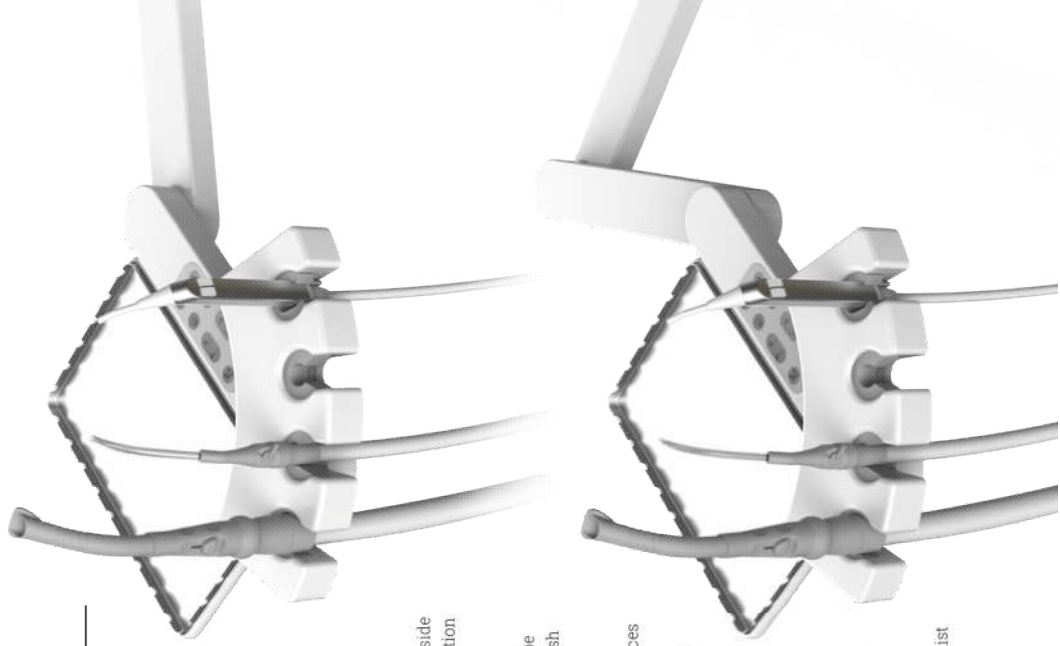
The S-version with oscillating pull down system is particularly popular abroad. Each instrument can be easily and ergonomically removed and returned without effort.  
The proven swing bar system minimizes soiling, as the tubes have no contact with the ground and glide cleanly into the rest positions.

**Cart Version.  
Stand alone.**

The flexibility of the mobile Stand alone is undisputed: it can be moved freely around the entire treatment unit and guarantees optimum freedom of movement, especially in confined spaces.  
The Stand alone version can be perfectly combined with a large (unit-mounted) tray table. Completely and easily removable top plate. Easy to disinfect.

## Ritter Contact Lite Comfort. Designed for the perfect assistance.

Optimise your workflow.  
Whether standing, sitting, at 12 o'clock...  
the freely positionable assistance element  
is there to help you in any situation.



### A perfect interplay.

#### Double ore three joints articulated arm system.

The double articulated arm on the assistant's side allows flexible positioning in any patient position and treatment situation.

All main functions of the treatment unit can be controlled with the touch panel integrated flush with the surface of the articulated arm.

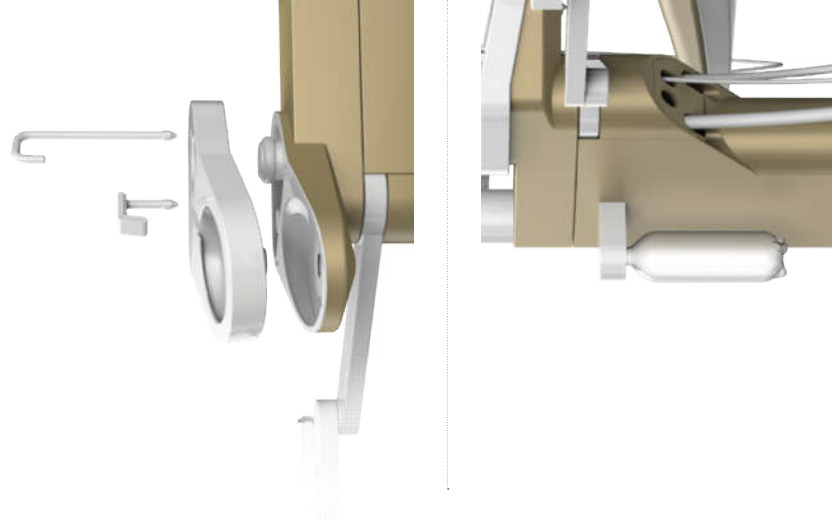
The ergonomic design of the suction handpieces enables fatigue-free treatment. The well thought-out and clean suspension effectively prevents twisting of the tubes.

Even more space-saving and flexible in positioning. Freely swiveling 3 joints provide room for manoeuvre during treatment. The slim assistance element controls the patient chair, operating light, suction, spray mist suction, mouth rinsing bowl and cup filling.

## Safety and security comes first.

All critical areas and components are easily accessible and disinfectable. All surfaces are smooth and designed to prevent dirt zones and accumulations of germs/bacteria.

### Hygiene made easy.



#### Instrument flushing support

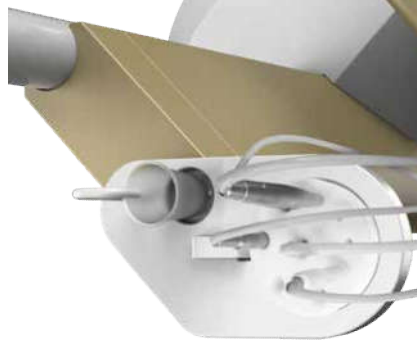
The rinsing hood allows disinfection in a hygienic and simple way. The hood is placed on the bowl. Internal components are particularly easily accessible.

#### Rinsing bowl

Critical components, which experience has shown to be quickly contaminated, can be removed and disinfected.

#### Aqua Bottle System

All internal waterways are completely disinfected with the bottle solution. Internal disinfection system WEK Metasys® available as an option.



## Ritter Operating Light. Focus on quality.

A long working day is comfortably mastered with good equipment. Ergonomic sitting and precise illumination of your patient are the essential prerequisites for this.



Optional protective cover with patient mirror.



### Best illumination where it is needed

Ritter SunLite is available with an extendable mirror. This allows the patient to follow the procedure.

An optionally available polymerization protection reduces the light intensity and prevents over-polymerization.

CoreWhite is a bleaching system that can be easily attached to the SunLite's handle holder via Plug & Play. Free adjustment of the light intensity. Special filters remove infrared rays from the light pattern. Ask us for more information.

#### Ritter LED SunLite.

- LED luminaire with glare-free luminosity
- Precise adaptation to working field
- Illuminance: from 8 000 up to 35 000 lx
- Color temperature: from 4 200 K up to 6 000 K
- Less power consuming
- High quality longlife LED
- Absorbed Power: max. 20 VA
- Handles are removable / sterilisable
- Luminaire can be rotated by 180°.
- High freedom of movement.
- Quiet operation with 0 db.

#### Ritter MoonLite LED.

- 2 strong LEDs and two parabolic reflectors
- Illuminance from 3 000 - 50 000 lx
- Color temperature: from 5 000 K
- CRI >95, for better color perception
- Absorbed Power: max. 26 VA
- Power supply: 17-24 V, 50-60 Hz
- Lighting spot (from the distance of 700 mm): 175x100 mm
- Cooling System: static heat sink (no fan required)
- Uniform distribution of light in the field of work, without appearance of shade or dark zones by the operator
- Setting of the brightness alternatively with mechanical switch or sensor
- Hygienic due to back-hand switch and removable, autoclavable handles
- Available for mounting at ceiling or unit

#### Ritter X-Ray Device: Leadex 70.

Microprocessor controlled, pre-programmed or individually programmable exposure times, a push of a button is all it takes to switch from conventional (on X-ray film technology) to digital image acquisition using sensor technology. Buttons pre-programmed for special images. The device is compatible with practically all digital image processing systems.

- Easy to integrate
- Can be mounted on the unit, on the wall and on the ceiling
- For all needs of intraoral dental radiology
- Flexible, fast and safe solution to generate an excellent digital X-ray sensors
- Compatible with standard films and Sharp and high-contrast images

## Ritter Dental Stool. Flexible around the clock.

### GiraFlex D (Doc)

- The Operator's Stool for Dentists
- For the highest ergonomic requirements
- Axis saddle chair 5° tilt / tilt
- Seat core with PUR foam element
- High-quality, resistant leather seats
- D-PLUS with height adjustable backrest
- High quality faux leather, 100% vegan

### GiraFlex A (Assist)

- The Operator's Stool for the Assistant
- For the highest ergonomic requirements
- Seat core with PUR foam element
- High-quality, resistant leather seats
- A-PLUS with height adjustable backrest

A feeling of well-being through upholstery quality and colour.



### MobiloRest

- High quality faux leather, 100% vegan
- Made in Germany
- For the highest ergonomic requirements
- Asymmetrical backrest
- Optimal support for the working hand and freedom for the other hand (for left- and right-handed)
- foot control (hand control 150/150L)



### Assistant stool 158

- High quality faux leather, 100% vegan
- Made in Germany
- For the highest ergonomic requirements
- Symmetrical backrest
- foot control (hand control 151)



**Ergonomically correct - important!**



Ritter Contact Lite Comfort.  
Everyone has their favourite colour -  
we all have them.



**Upholstery colors**

25 upholstery colors give your practice an individual touch. The vegan upholstery fabrics are supplied as standard with breathable Ritter comfort fabric. The silky-soft feel and matte appearance convey cleanliness and freshness - without a „sticky feeling“.

**Unit colors**

Special paintwork of the entire unit as well as partial paintwork of the water unit or cart are possible in all RAL colours and metallic colours. Standard paint colour is RAL 9003 / signal white.



Ritter Contact Lite Comfort.  
Equipment and options.

● Standard  
○ Option

**Patient chair**

- Trendelenburg movement ●
- Saving of positions ●
- Safety switch ●
- Double articulated headrest mechanically ●
- headrest pneumatic ○
- Left armrest ●
- Right armrest, swiveling ○
- Seamless upholstery ●
- I-Panel ●

**Assistant element**

- Instrument cleaning support ○
- 3 Functional syringe TopFlex ○
- 3 Functional syringe Luzzani ○
- 6 Functional syringe Luzzani ○
- Large suction hose ●
- Small suction hose ●
- LED polymerization handpiece ○
- 2 part arm with control panel ●
- 3 part arm with control panel ○
- Selective holder ●

**Dentist element**

- 3 Functional syringe Luzzani ●
- 6 Functional syringe Luzzani ○
- Turbine equipment ●
- 1. Turbine device \*1 ●
- 1. Motor RBL-15 LED ●
- 2. Motor RBL-15 LED ○
- 1. Motor Infinity brushless LED ○
- 2. Motor Infinity brushless LED ○
- ZEG Satelec with LED ○
- ZEG Kolibri S or E ○
- Graphical display ●
- Multifunctional panel ●
- 4 user levels for instr. + Chair radio ●
- Instrument spray heating ○
- Small x-ray film viewer ●
- Absorption for 2 standard trays \*2 ●
- Pneumatic brake for arm system \*4 ●

**Water unit**

- Porcelain rinsing bowl ●
- Swiveling spittoon ○
- ABS Aqua Bottle System ○
- Cup heating ○
- Dürr Bowl Rinse Valve for wet suction ○
- Amalgam separator MSTI Metasys ○
- Amalgam separator CASI Dürr ○
- (Separation system) ○
- MSTI ECO Light Metasys ○
- Automatic separation CSI Dürr ○
- Double tray support \*3 ●

**Multimedia**

- Intraoral camera with USB connection ○
- Monitor Neovo \*5 ○

**Small X-ray equipment**

- LEADEX 70 AC or DC \*6 ○

**Operating lights**

- Ritter LED Sunlite ●

**Stools**

- MobiloRest 156/156L/158/150/150L/151 m ○
- MobiloRest with footring ○

\*1 Max. 3 drilling instruments (2 turbines / 1 motor or 1 turbine / 2 motors, without scaler, 2 turbines / 2 motors possible)  
\*2 In the case of a swinging version, it is standard for 1 norm tray / optional for 2 norm trays  
\*3 Only C / HC / H versions (S version optional)  
\*4 Only S / H / HC versions  
\*5 Monitor on the cart or on the lamp pole  
\*6 Not possible with C version one swiveling spittoon