

Features

Easo bed is designed to be used in hospitals, clinics and other uses such as psychiatric clinics.

It is designed for 10 to 15 years service life, depending on client usage.

Steel structure with a polyester coating.

Some of its main characteristics are:

- For easy transport:

Light weight, with little wheels that helps its transportation.

Individual braking system in each wheel.

Optionally it can have legs without wheels that can be even screwed to the floor.

- Encourage the patient welfare due to:

Bed base divided in four sections, one fixed and three articulated by levers (thorax and legs sections). Side arch for mattress retention.

HPL hand removable bed base divided in 4 sections. They are easy to clean, with great protection against the growth and spread of bacteria.

It is also available with grid bed base.

This bed series has several headboard and footboard options, from propylene to curved tube with HPL central panel.

- For patient protection:

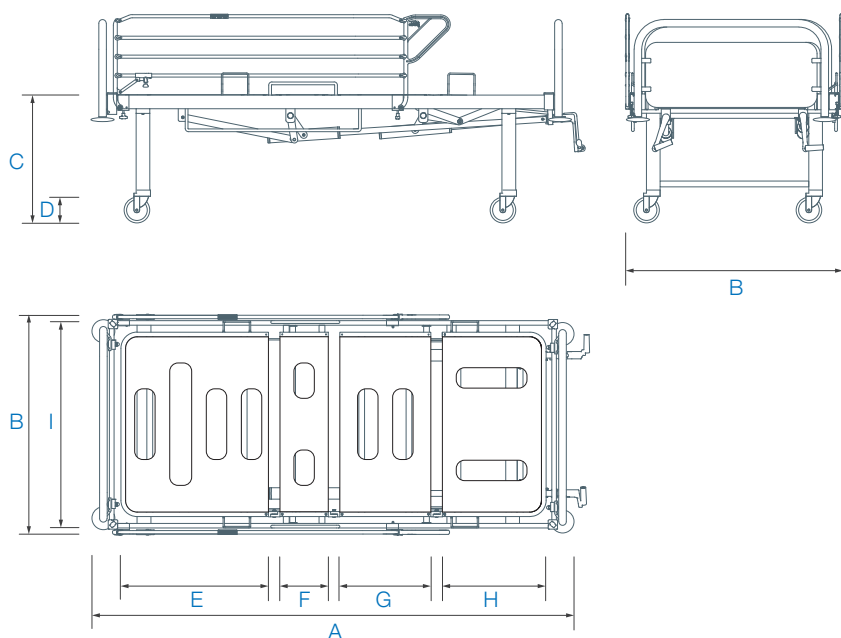
Foldable 4 tube rails are available.

4 accessories support and side guards discs on all four corners.



Technical information

Total length with headboard and footboard (A)	2070 mm. ± 10 mm.
Total width with rails (B)	1020 mm. ± 10 mm.
Surface height rest (C)	560 mm. ± 10 mm.
Total bed base length	1900 mm. ± 10 mm.
Bed base section length (E, F, G y H)	630 / 230 / 390 / 450 mm.
Bed base section width (I)	900 mm.
Wheels diameter (D)	100 mm.
Backrest tilting angle	70° ± 5°
Extremities tilting angle	26° ± 2°
Feet tilting angle	9° ± 2°
Maximum patient weight (MPW)	140 kg.
Safe working load (SWL)	230 kg.
Bed unladen weight	90 kg.



Standard

Controls	Protection	Transport	Wellness	Others	Accessories
Screw	Side rails	Ø100mm. wheels with independent brake	mattress retainer		IV Pole
	Headboard in PP		HPL bedbase		Trapeze bar
					Balkan frame

Optional

Controls	Protection	Transport	Wellness	Others
	HPL or inox head/foot-board	Legs	Mesh bed base	
	Sliding head-board	Anchored legs		
		Footboard with tilt table		